

# GRADE 1 TERM 2 EXAM 2019

## MATHEMATICS ACTIVITIES

NAME..... SCHOOL..... DATE.....

### Count and write.

1.  = \_\_\_\_\_

2.  = \_\_\_\_\_

3.  = \_\_\_\_\_

4.  = \_\_\_\_\_

### Draw balls.

5. 7 \_\_\_\_\_

6. 6 \_\_\_\_\_

7. 10 \_\_\_\_\_

### Write in words.

8. 4 \_\_\_\_\_

9. 3 \_\_\_\_\_

10. 7 \_\_\_\_\_

### Add(+)

11.  $4 + 3 =$  \_\_\_\_\_

12.  $6 + 1 =$  \_\_\_\_\_

13.  $4 + 5 =$  \_\_\_\_\_

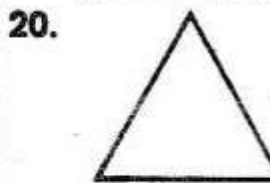
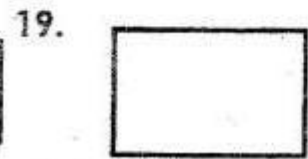
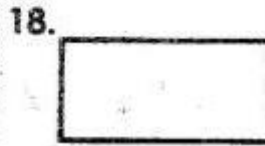
14.  $2 + 0 =$  \_\_\_\_\_

15. 
$$\begin{array}{r} 3 \\ + 4 \\ \hline \end{array}$$

16. 
$$\begin{array}{r} 1 \\ + 4 \\ \hline 4 \\ \hline \end{array}$$

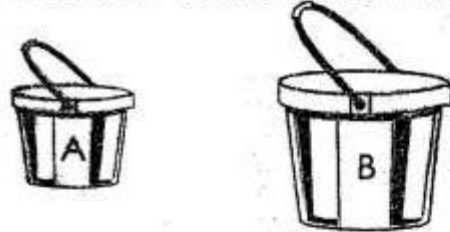
17.  $2 + 1 + 0 =$  \_\_\_\_\_

### Name the shapes.



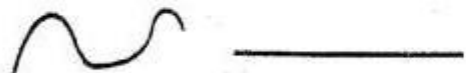
(triangle, square, rectangle)

21. Which one holds more water



A or B \_\_\_\_\_

22. Circle a straight line



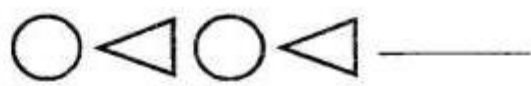
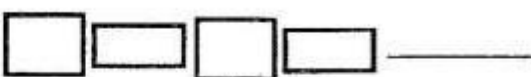
Subtract.

23.  $7 - 4 =$  \_\_\_\_\_  
24.  $9 - 2 =$  \_\_\_\_\_  
25.  $2 - 2 =$  \_\_\_\_\_  
26.  $6 - 1 =$  \_\_\_\_\_  
27.  $8 - 6 =$  \_\_\_\_\_  
28.  $\begin{array}{r} 5 \\ - 3 \\ \hline \end{array}$       29.  $\begin{array}{r} 7 \\ - 3 \\ \hline \end{array}$   
30.  $\begin{array}{r} 5 \\ - 3 \\ \hline \end{array}$       31.  $\begin{array}{r} 5 \\ - 2 \\ \hline \end{array}$

Fill in the missing numbers

32. 13, 14, \_\_\_\_\_, 17, 18  
33. 21 \_\_\_\_\_ 23 \_\_\_\_\_ 25  
34. 30, 31 \_\_\_\_\_

Write the missing shape.

35.   
36. 

Fill in.

37. 



40	tens	ones

  
38. 


29	tens	ones

  
39. A dog has \_\_\_\_\_ eyes.  
40. A cat has \_\_\_\_\_ eyes.


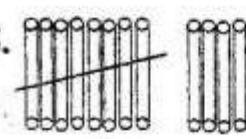
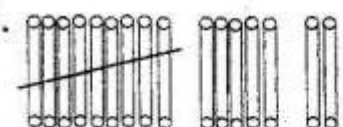
Circle the group with less than

41.   
42. 

Arrange from the smallest to the biggest

43. 

How many?

44.  = \_\_\_\_\_  
45.  = \_\_\_\_\_  
46.  = \_\_\_\_\_

How much?

-  Sh. 20       Sh. 15       Sh. 15

47. An orange and milk? \_\_\_\_\_  
48. A pencil and orange? \_\_\_\_\_  
49. Milk and a pencil? \_\_\_\_\_  
50. How many legs do four girls have? \_\_\_\_\_