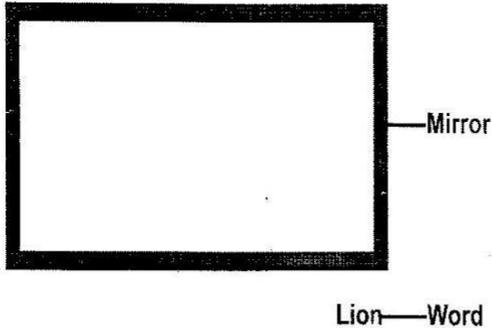


KCPE PREDICTION 2018

PREDICTION 2018

1. The following shows a mirror placed on the side of a word. Which is the correct appearance of the word in the mirror?

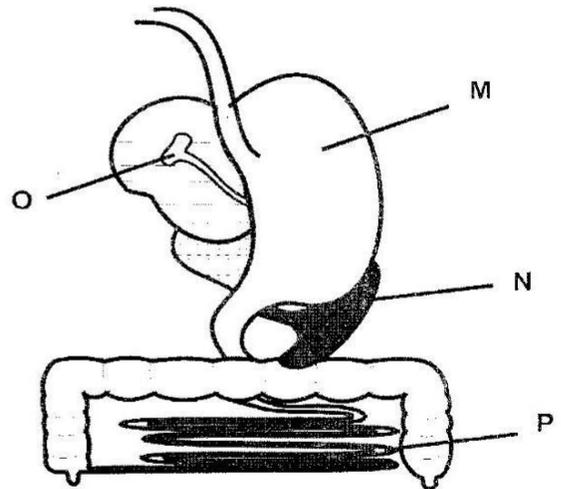


- A. LION
 B. LI0I
 C. LI0I
 D. LI0I

2. Which of the disease below is among the diseases an infant is immunized against within the first month after birth.
 A. Measles B. Tuberculosis
 C. Diphtheria D. Tetanus
3. The following are human diseases. Which of the groups of disease is made of only diseases that are controlled by draining stagnant water?
 A. Malaria and cholera
 B. Typhoid and Bilharzia
 C. Malaria and Bilharzia
 D. Tetanus and polio
4. The following are practices that ensure that one has healthy teeth. Which one may not?
 A. Eating balanced diet rich with vitamin D.
 B. Chewing hard food.
 C. Removing milk teeth in time.
 D. Gurgling with sugary water once in a while.
5. The following are drug effects that may be seen on users
 (i) leads to high appetite
 (ii) sudden changes of their moods
 (iii) head ache and chest pain
 (iv) staggering
 (v) users become irresponsible
 Which effects are found in users of bhang?

SCIENCE

- A. (i), (ii), (iii). B. (i), (ii), (iv).
 C. (ii), (iii), (iv). D. (i), (ii), (v).
6. The activities below take place during the inhaling. Arrange them from the first one to the last one
 (i) The diaphragm flattens.
 (ii) The ribs move upwards and outwards.
 (iii) The volume of the chest cavity increase.
 (iv) Air gets into the lungs.
 (v) Lungs inflate.
 A. (v), (iv), (iii), (i), (ii) B. (i), (ii), (iii), (iv), (v)
 C. (ii), (i), (iii), (iv), (v) D. (v), (iv), (iii), (ii), (i)
7. The following are functions of the amniotic fluid, which is the **MAIN** function of the fluid?
 A. Facilitate the transfer of food.
 B. Connect the foetus to the mother.
 C. It absorbs shock in case of an accident.
 D. It regulates temperature in the womb.
8. Use the diagram to answer the question that follows



Which part is not correctly matched with its function?

Part	Function
O	Produces bile juice
M	Digestion of proteins
N	Produces pancreatic juice
P	Digests proteins

9. In human body which part of the skin is sweat made?
 A. Dermis B. Sweat glands
 C. Sweat pore D. Epidermis

10. The following are statements about the heart. Which statement is not true
- The left ventricle is thicker than the right ventricle.
 - The blood goes to the lungs through pulmonary vein.
 - The heart has valves to prevent backflow of blood
 - Auricles receive blood from body parts.

11. The following are changes that take place during adolescents
- Hips broaden.
 - Pimples may appear on the face.
 - They grow in height and weight.
 - Breasts enlargement.
 - Voice breaks.
- Which of the changes can be found in girls?
- (i), (ii), (v), (iv)
 - (ii), (iii), (iv), (i)
 - (i), (iii), (v), (i)
 - (iv), (iii), (v), (ii)

12. Which stage of HIV is the patient healthy and may test positive
- Window stage
 - Full blown
 - Asymptomatic
 - Symptomatic

13. The planets that are 4th and 8th from the sun respectively are:
- Mercury and Neptune
 - Pluto and Uranus
 - Mars and Neptune
 - Saturn and Pluto

14. The following are examples of animal feeds. Which of the following feeds give animals carbohydrates?
- Fish meal
 - Bone meal
 - Molasses
 - Lucern

15. A single fixed pulley makes work easier through which method below?
- increasing effort distance
 - reducing effort applied
 - decreasing the speed of doing work
 - changing the direction of force.

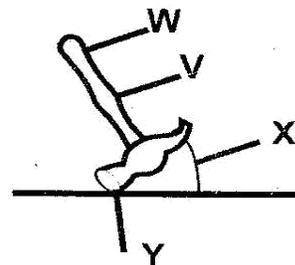
16. Which of the following groups of simple tools is made of only levers of the same class?
- Door hinge, spade, bottle opener.
 - Spade, fishing rod, claw hammer.
 - Claw hammer, bottle opener, crow bar.
 - Fishing rod, spade, human arm.

17. What is the MAIN reason why carbon dioxide is used in extinguishing fire? Because carbon dioxide is
- denser than air
 - can support burning
 - does not support burning
 - it's the smallest gas in volume in the atmosphere

18. Which method of food preservation preserves food by making the bacteria inactive?
- Honeying
 - Freezing
 - Drying
 - Smoking.

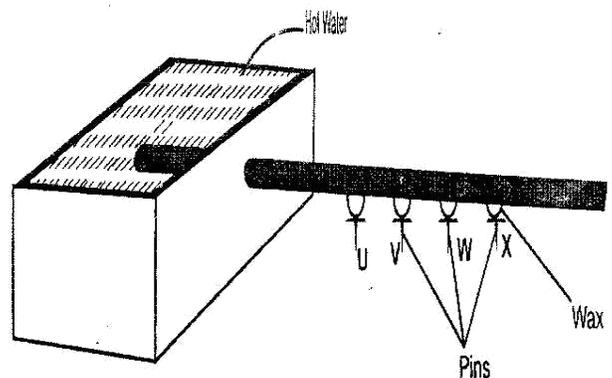
19. Which of the following is not an inclined plane?
- A ladder
 - A road on flat surface
 - Staircase
 - Ramp

20. The lever below is at work. Which of the parts on the arm would least effort be applied during work



- W
- V
- X
- Y

21. The diagram below represents a set up that can be used to demonstrate a certain aspect of heat. The aspect demonstrated is that



- solids change in state when heated
- metals expand when heated
- solids conduct heat
- metals bend when they are heated.

22. Which of the substances below have a definite volume but no definite shape?
- wheat flour
 - smoke
 - milk
 - stones

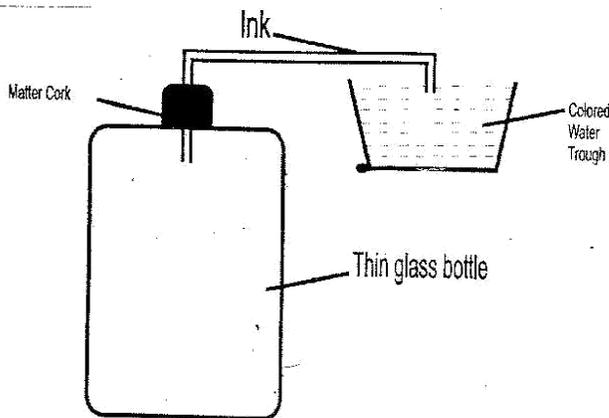
23. Which of the plants below each make its own food but it has no flowers?

- A. Fern B. Mould
C. Mushroom D. Toadstool

24. The following are plant pests. Which of the pest is matched incorrectly with the damage it causes on the plant?

- A. Weevil – bore holes on seeds
B. Weaver bird – eat grains
C. Aphid – cut stem of young shoot
D. Stalk borer – bore holes in the stems.

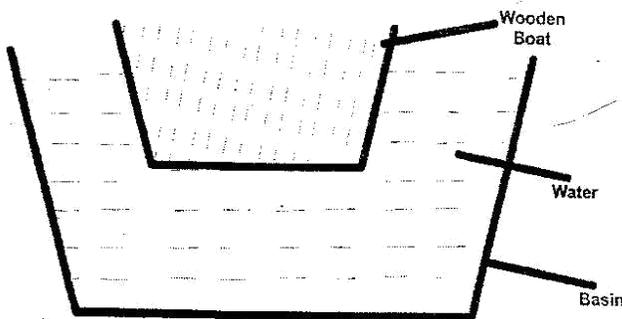
25. The figure below shows effects of heat on matter.



What would happen when hot water is poured on the thin glass bottle?

- A. The ink drop moves towards the thin glass bottle.
B. The water level in the trough dropped.
C. The water level in the tube rose.
D. The water level in the tube dropped.

26. A boat made of wood is placed on water as shown



What makes the boat to float. Its

- A. Shape B. Material
C. Size D. Weight

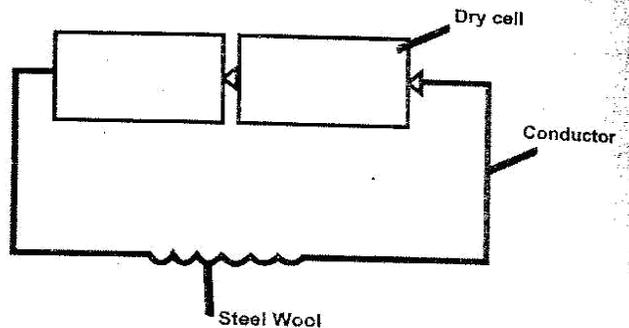
27. Which of the following is a reason why tanks are fitted with thicker walls at the bottom?

- A. To hold more water.
B. To be wide at the bottom.
C. To withstand water pressure.
D. To allow evaporation.

28. Pressure in liquid is changed by all the following except one, which one?

- A. Increasing height of water.
B. Decreasing height of water.
C. Adding amounts of liquid.
D. Lifting the container of liquid higher.

29. The energy transformation in the connection below is



- A. chemical → electrical → magnetic
B. electrical → magnetic → heat
C. chemical → electrical → heat → light
D. chemical → heat → electrical → light

30. The following are ways of conserving energy

- (i) Driving well maintained vehicles
- (ii) Cooking with improved jiko's
- (iii) Using biogas to cook
- (iv) Walking for short distances
- (v) Switching off hydro electricity bulbs before sleeping

Which methods conserve non renewable energy?

- A. (i), (ii), (iii) B. (i), (iii), (iv)
C. (ii), (iv), (v) D. (i), (iv), (v)

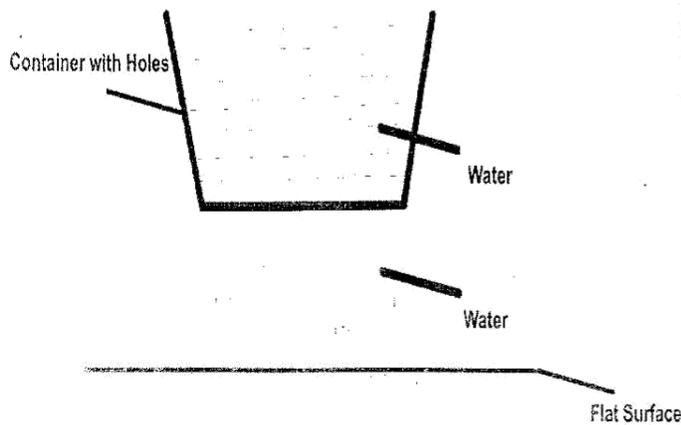
31. Which precaution below prevents pupils from being struck by lightning. Avoid:
- Fixing objects in sockets.
 - Torching sockets with wet hands.
 - Avoid walking in water during down pour.
 - Wearing rubber sole shoes.

32. Friction can be increased on wheels of vehicles by
- Lubricating them.
 - Loading the lorry heavily.
 - Applying brakes on muddy road.
 - Removing pressure from the wheels.

33. Which food group below may add no nutrients to the body but are useful to the body?
- Vitamins and carbohydrates.
 - Proteins and roughages.
 - Water and roughages.
 - Vitamins and starch.

34. The following foods were put together as shown, which group only have body building foods
- Beans, rice, potatoes
 - Rice, millet, wheat
 - Fish, eggs, green grams
 - Tomatoes, mangoes, bananas

35. The following experiment was carried out as shown below



The soil erosion being investigated is

- Gully erosion
- Sheet erosion
- Reel erosion
- Splash erosion

36. The following examples of plants. Which one of them have fibrous roots?
- Peas, beans, cabbage
 - Sugarcane, millet, maize
 - Coconut, tomato, blackjack
 - Grass, cabbage, coconut

37. The following are adaptation of plants that grow in wet areas, which one of them is not
- poorly formed
 - waxy leaves with thin cuticle
 - flexible stems
 - sunken stomata

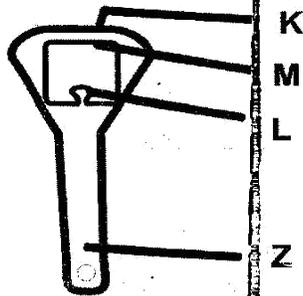
38. The pollution can cause the following effects on the environment. Which among the effects given below results from human and animal waste being disposed in water?
- corroded roofs
 - blockage of stomatas
 - water borne diseases
 - growth of aquatic plants

39. The following are methods of controlling pests, which method is the best to control ticks and mites
- Deworming
 - Rotational grazing
 - Shearing
 - Drenching

40. Which of the following methods of lighting a house is the best and natural. Using?
- candle
 - firefly
 - moon
 - sunlight

41. Which of the following groups of mixtures can not be separated by using a magnet, picking and sieving? A mixture of,
- Iron fillings, beans and sand
 - Copper fillings, iron fillings and maize
 - Nickel fillings, maize seeds and soil
 - Flour, iron fillings and wheat grains.

42. Use the diagram to answer the question that follow



Which position shows the fulcrum?

- K
- M
- L
- Z

43. Which source of energy below may not have chemical energy in it?

- Fire wood
- Food
- Dry cells
- Bicycle dynamo

44. Why is the scale of the air thermometer written from above? The high temperatures

- result to air contraction
- push the water down the tube
- cause evaporation
- may cause air bubbles.

45. The closest planet to the Earth among the ones given below is

- Pluto
- Neptune
- Mercury
- Saturn

46. Birds that fly move easily in air because of all the following features except one, presence of

- feathers that face forward
- streamlined body
- hollow bones
- presence of wings

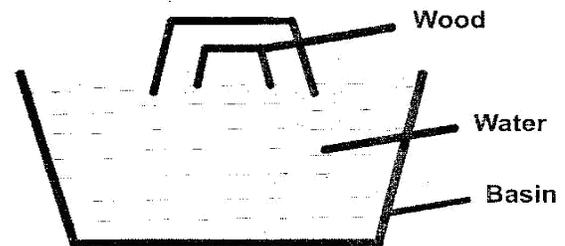
47. The following are ways of conserving water, which method conserves soil water?

- Drip irrigation.
- Mulching.
- Storing water in dams.
- Growing cover crops.

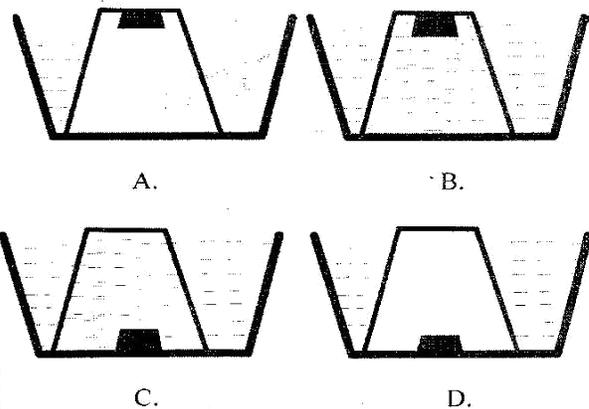
48. Which change of state among the ones given below absorb heat from the surrounding.

- Melting and freezing.
- Freezing and evaporation.
- Evaporation and melting.
- Condensing and freezing.

49. A piece of wood was put in water as shown in the diagram below



The glass was pushed into the water as shown. Which was the observation?



50. Use the food chain to answer the question that follows

Grass → Zebra → Lion → Vulture

Which of the following organisms supports the food chain?

- Grass
- Zebra
- Lion
- Vulture